



LAYOUT DIAGRAM(原理圖): (FIG-1)

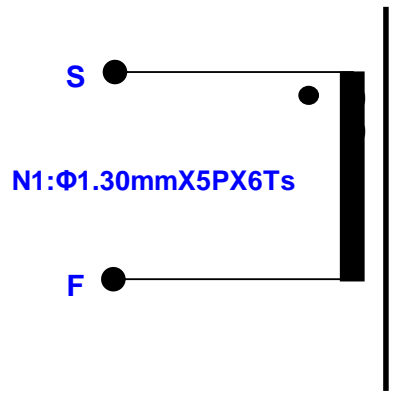


FIG-1

DATA SPECIFICATION特性要求: (Table-1)

ITEM 项目	MEASUREMENT S 测试脚位	CHARACTERISTICS 测试范围	MEASURING CONDITIONS 测试条件 (T=20±4℃;HR(%)=45±15)	REMARK 备注
LS 电感	PIN(S-F)	4.0uH±15%	F(kHz)=10 U _g (V)=0.1	SERIAL MODE 串联模式
Isat	PIN(S-F)	15A	DC current at which inductance drops 20%(typ) from its value without current	
DCR 直流电阻	PIN(S-F)	1.0mΩ MAX	20℃	4 WIRES MODE 四线模式
IMPULSE 层间短路	PIN(S-F)	VAC=2000V	AREA COMPARISON±30% DIFFERENTIAL COMPARISON±30% NUMBER OF PULSES 5	/
PH 相位	REFER TO LAYOUT DIAGRAM FIG-1 参照原理图 FIG-1			

REMARK:

1. 初级和次级不相同的两个绕组需测试是否短路
 2. 工作温度范围: -40℃~125℃
 3. 存储温度范围: 0~40℃
 4. 每次出货均需附上出货检验报告
- 100% testing for the above electrical characteristics.
所有产品按以上要求进行100%测试.

Quality Requirement:(品质要求)

Ref ANSI/ASQC.Z1.4 2008 Level II . Major AQL=0.4% Minor AQL=1.0%.
参照ANSI/ASQC.Z1.4 2008 Level II . Major AQL=0.4% Minor AQL=1.0%.

Prepared By:	DATE :	TITLE:	CUSTOMER	MODEL NO.:TBP2U	
Checked By :	DATE :		Approved:	REV.	01
Approved By :	DATE :	CHOKE	Date:	PAGE 1 OF 2	

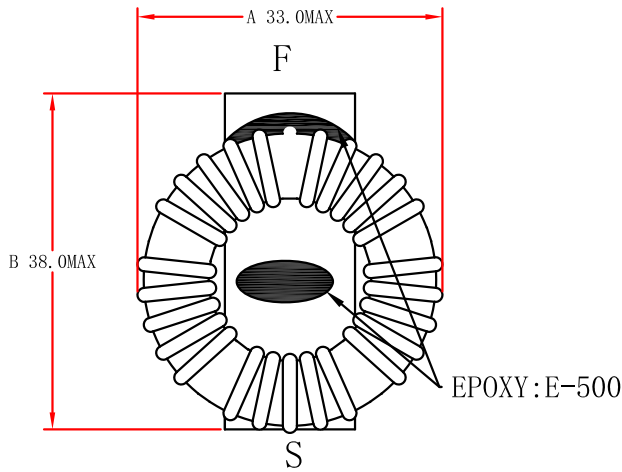


FIG-2

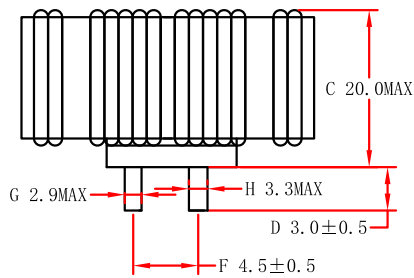


FIG-4

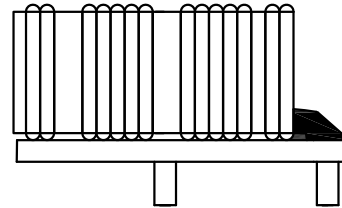


FIG-5

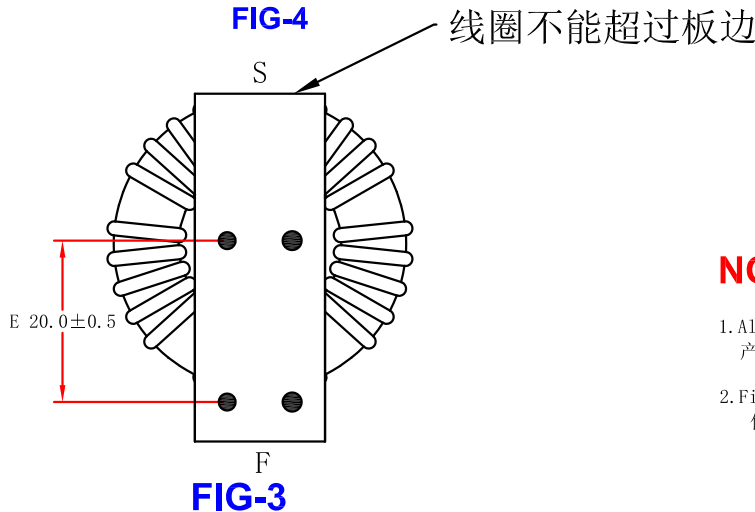


FIG-3

NOTE:

1. All parts should be complied with RoHS . 产品须满足RoHS需求.
2. Fix core and base with epoxy E-500. 使用E-500胶固定磁芯与底座

Prepared By:	Date :	TITLE : CHOKE	CUSTOMER	MODEL NO. :TBP2U	
Checked By:	Date :		Approved:	REV.	00
Approved By:	Date :		Date:	PAGE 2 OF 2	

免责声明

Disclaimer

Specifications and appearances may change without notice. All statements, technical information and recommendations herein are based on tests that we believed to be reliable, but the accuracy and completeness are not guaranteed. Before using, user should determine the suitability of the product for its intended use, and the user assumes all risks and liabilities whatsoever in connection therewith. Neither the seller nor the manufacturer shall be liable for any loss or damage, direct, incidental or consequential, including loss of profits or revenues arising from the use or inability to use the product. Any statements or recommendations shall have no effect unless contained in an agreement signed by authorized personnel of the seller and manufacturer.

依美电感保留更改产品资料和外观的最终权利而无需事先通知。如有任何争议，依美电感保留最终决定权。此中文免责声明为英文版本译本，如中、英文两个版本有任何抵触或不相符之处，应以英文版本为准。