



DATA SPECIFICATION 特性要求: (Table-1)

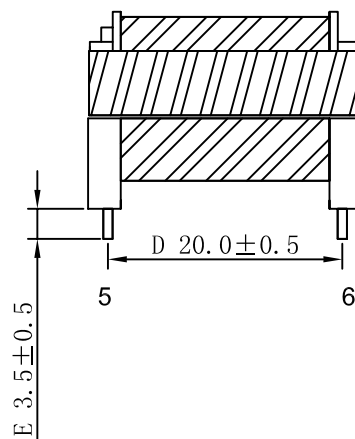
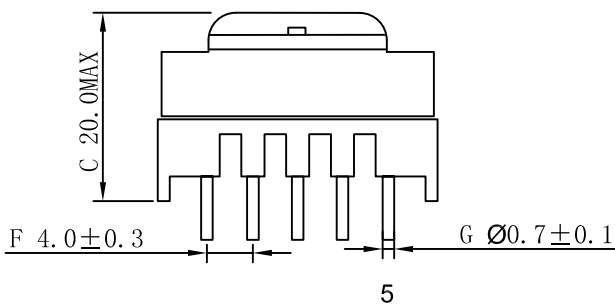
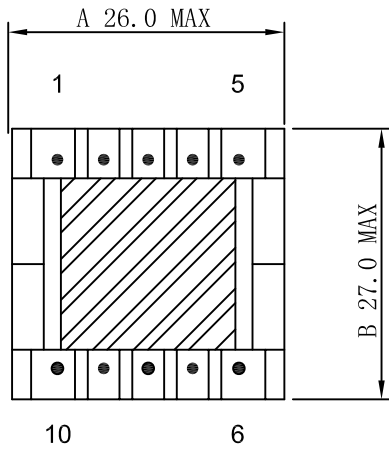
ITEM 项目	MEASUREMENTS 测试脚位	CHARACTERISTICS 测试范围	MEASURING CONDITIONS 测试条件 (T=25±4°C;HR(%)=45±15)	REMARK 备注
LS 电感	PIN(3-1)	1.288mH±10%	F(kHz)=10 Ug(V)=0.1	SERIAL MODE 串联模式
LK 漏感	PIN(3-1)	32.19mHMAX	F(kHz)=100 Ug(V)=0.1 (SHORTED PIN4, 5, 7, 9)	SERIAL MODE 串联模式
DCR 直流电阻	PIN(3-1)	2.0Ω MAX.	/	4 WIRE MODE 四线模式
	PIN(5-4)	0.22Ω MAX.	/	4 WIRE MODE 四线模式
	PIN(7-9)	0.20Ω MAX.	/	4 WIRE MODE 四线模式
HIPOT 耐压	PRI. /SEC.	NO BREAKDOWN 漏电流≤5.0mA	VAC=4000V/1SEC. F(Hz)=50	/
PH 相位	REFER TO LAYOUT DIAGRAM FIG-1 参照原理图 FIG-1			

Prepared By ENG:	Date:	TITLE: TRANSFORMER	CUSTOMER Approved:	MODEL NO.:EFL25	
Checked By QA:	Date:			REV.	00
Approved By ENG:	Date:			PAGE 1 OF 3	



OUTLINE DIAGRAM (外观图) :

UNIT: mm



NOTES:

- The core are to be held with 2 layers 5.5mm width tape;
在铁芯上包2圈7.0mm宽的胶纸;
- The product must be impregnated varnish.
产品须含浸凡立水.
- YYWW: year and week code (FIG-4).
YYWW: 年份周期代码 (FIG-4).
- The part should be complied with ROHS.
产品需满足ROHS要求.
- Cut off PIN 6, 8, 10.
产品要拔掉PIN6, 8, 10.

Prepared By ENG:	Date :	TITLE : TRANSFORMER	CUSTOMER Approved: Date:	MODEL NO. : EFL25		
Checked By QA:	Date :			REV. :	00	
Approved By ENG:	Date :			PAGE 2 OF 3		

