



Data Specification(特性要求) : (Table-1)

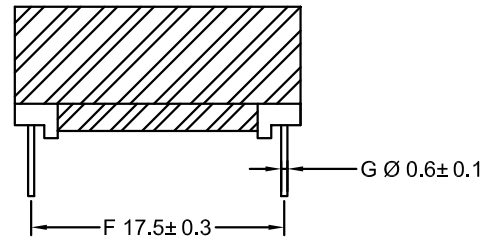
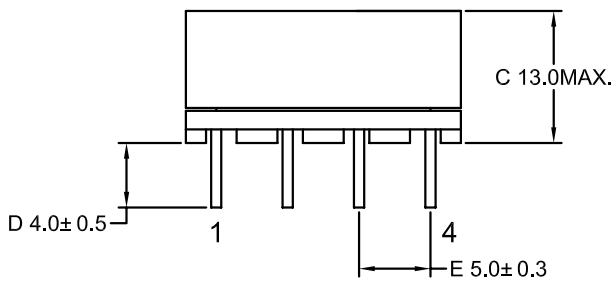
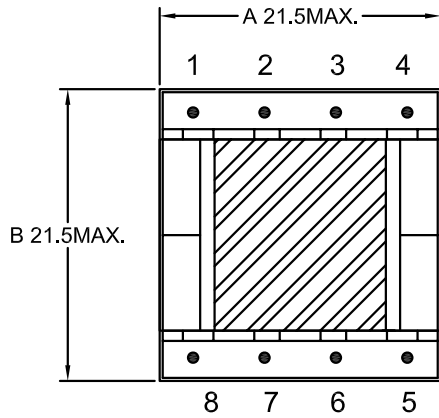
ITEM 項目	MEASUREMENTS 測試腳位	CHARACTERISTICS 測試範圍	MEASURING CONDITIONS 測試條件 T(°C)=25±3;HR(%)=45±15	REMARK 備注
LS 電感	PIN(2-4)	1.2mH±10%	F(kHz)=10 Ug(V)=0.1	SERIAL MODEL 串聯模式
LK 漏電感	PIN(2-4)	100 uH MAX.	F(kHz)=10 Ug(V)=0.1 shorted 5, 6, 7, 8	SERIAL MODEL 串聯模式
DCR 電阻	PIN(2-4)	1.7 Ω MAX.	/	4 WIRE MODEL 四線模式
	PIN(1-3)	1.8 Ω MAX.	/	4 WIRE MODEL 四線模式
	PIN(5-6)	50m Ω MAX.	/	4 WIRE MODEL 四線模式
	PIN(8-7)	0.55 Ω MAX.	/	4 WIRE MODEL 四線模式
HIPOT 耐壓	PRI. /SEC.	NO Breakdown 漏電流 ≤5.0mA	VAC=3000V/5SEC. F(Hz) =50	/
	(5-6)/(8-7)	NO Breakdown 漏電流 ≤10.0mA	VDC=1000V/5SEC. F(Hz) =50	/
TR 圈比	(2-4):(5-6)	96:9±0.5TS	F(kHz)=10 Ug(V)=1	Apply Ug(2-4) 电压施加于(2-4)
	(2-4):(8-7)	96:21±0.5TS	F(kHz)=10 Ug(V)=1	Apply Ug(2-4) 电压施加于(2-4)
	(2-4):(1-3)	96:26±0.5TS	F(kHz)=10 Ug(V)=1	Apply Ug(2-4) 电压施加于(2-4)
PH 相位	REFER TO LAYOUT DIAGRAM FIG-1 参考原理图 (FIG-1)			

Prepared By ENG:	Date:	TITLE: TRANSFORMER	CUSTOMER Approved: Date:	MODEL NO: EFD20	
Checked By QA:	Date:			REV.	00
Approved By ENG:	Date:			PAGE 1 OF 3	



OUTLINE DIAGRAM (外观图) :

UNIT : mm



NOTES:

1. The core are to be held with 2 layers 6.0mm width tape;
在铁芯上包2圈6.0mm宽的胶纸;
2. The transformer must be vacuum impregnated in varnish;
产品需含浸凡立水且抽真空;
3. The part should be complied with ROHS.
产品需满足ROHS要求.

Prepared By ENG:	Date :	TITLE : TRANSFORMER	CUSTOMER Approved: Date:	MODEL NO. :EFD20	
Checked By QA:	Date :			REV. :	00
Approved By ENG:	Date :			PAGE 2 OF 3	



LAYOUT DIAGRAM (原理图): (FIG-1)

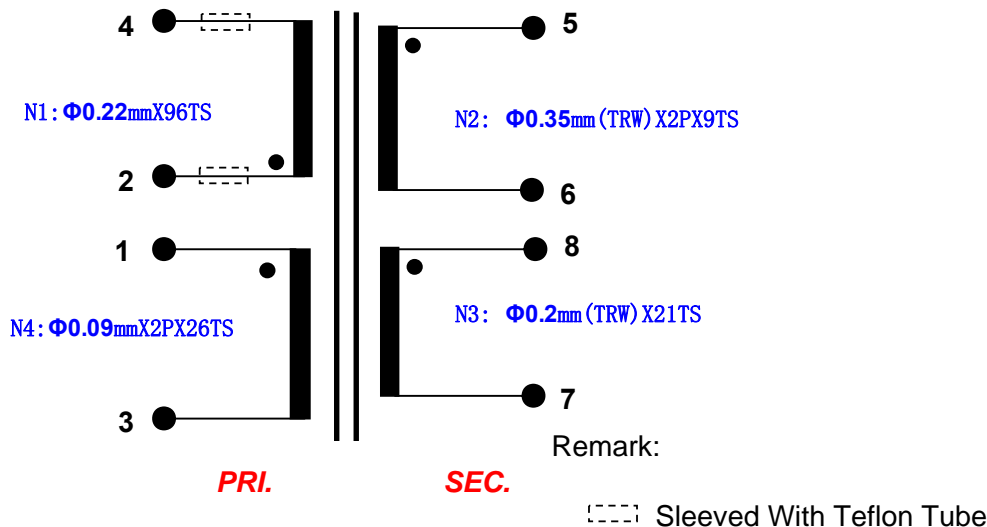


FIG-1

CROSS SECTION DAGRAM剖视图: (FIG-2)



FIG-2

Prepared By ENG:	Date:	TITLE: TRANSFORMER	CUSTOMER	MODEL NO: EFD20	
Checked By QA:	Date:		Approved:	REV.	00
Approved By ENG:	Date:		Date:	PAGE	3 OF 3

免责声明 Disclaimer

Specifications and appearances may change without notice. All statements, technical information and recommendations herein are based on tests that we believed to be reliable, but the accuracy and completeness are not guaranteed. Before using, user should determine the suitability of the product for its intended use, and the user assumes all risks and liabilities whatsoever in connection therewith. Neither the seller nor the manufacturer shall be liable for any loss or damage, direct, incidental or consequential, including loss of profits or revenues arising from the use or inability to use the product. Any statements or recommendations shall have no effect unless contained in an agreement signed by authorized personnel of the seller and manufacturer. 依美电感保留更改产品资料和外观的最终权利而无需事先通知。如有任何争议，依美电感保留最终决定权。此中文免责声明为英文版本译本，如中、英文两个版本有任何抵触或不相符之处，应以英文版本为准。